

Job Name: _____
 Location: _____
 Contact #: _____



Specifications

Model

515217 – Chrome finish
 515257 – Brushed Nickel finish

Single Handle Pull Down Kitchen Faucet

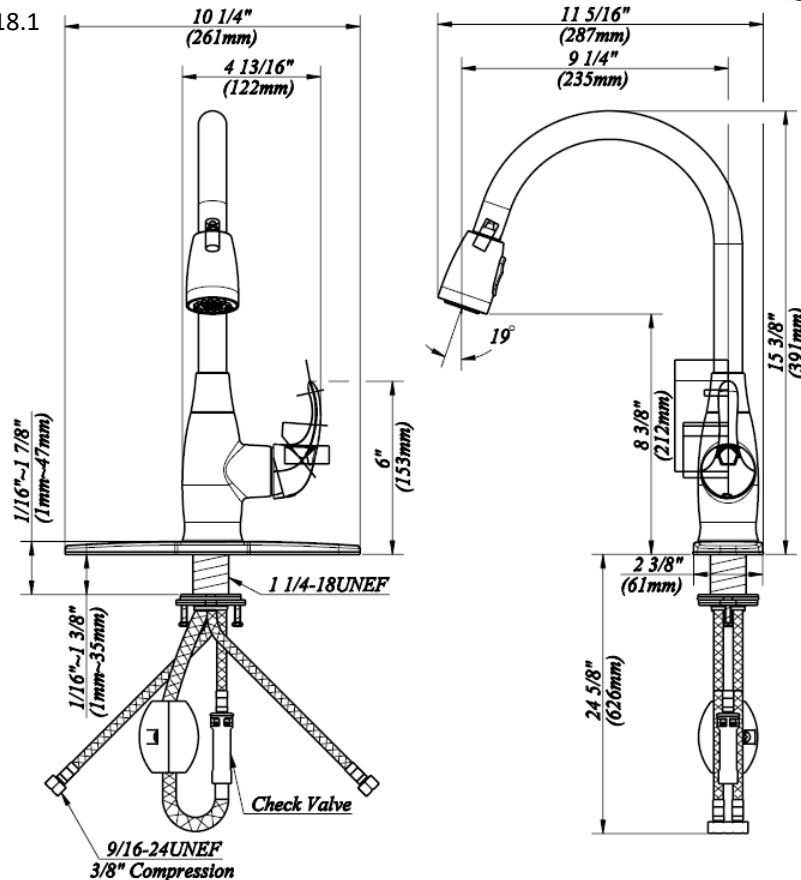
Description

- Lead free brass body
- Ceramic Cartridge
- Metal lever handle
- Optional deck plate
- Dual function
- With Neoperl hoses
- Max flow rate: 1.8 GPM at 60Psi
- 100% factory pressure tested before shipment



Standards

- ASME A112.18.1M/A112.18.1
- CSA B125
- NSF/ANSI 61 – Sec. 9
- NSF/ANSI 372
- IAPMO/cUPC
- ADA
- Galgreen



NSF/ANSI 372
 NSF/ANSI 61-9



CALGreen



Technical Support

888-328-2383

Manufacturer model#FP4A4081

Warranty Parts List

Single Handle Pull Down Kitchen Faucet

#	Description	Part #
1	Handle Cap	A66D558
2	Metal Handle Assembly	A069269
3	Trim Cap	A103016
4	Locking Nut	A104207
5	Ceramic Disc Cartridge	A507348N
6	Spout Base	A000125
7	Spout Seal Kit	A66D509
8	Spout	A139036
9	Hose Guide	A126048KP
10	Spray Head	A523178W
11	Cover Plate & Putty Plate	A667003
12	Mounting Hardware Assembly	A663042
13	Hose Adaptor Assembly	A66G142N
14	Spray Hose	A514001W
15	Weight	A504713
16	Hex Wrench (H2.5 * 16.5mm L * 50.5 mm L)	A031000NI
17	Aerator Wrench, $\Phi 18.5 * \Phi 16.5 * 42 * 43$	A031237GR

